

PENTAIR **GOYEN MECAIR IS/ISP SERIES**
INTEGRATO SEQUENCER

DESCRIPTION

The Integrato Sequencer (IS & ISP) features integrated controls intended for use with larger reverse pulse jet filter cleaning systems. The IS & ISP have been designed to operate across a wide range of environmental conditions. It is suitable for use with all types of filters, including bags, cartridges, sintered metal or ceramic filters.

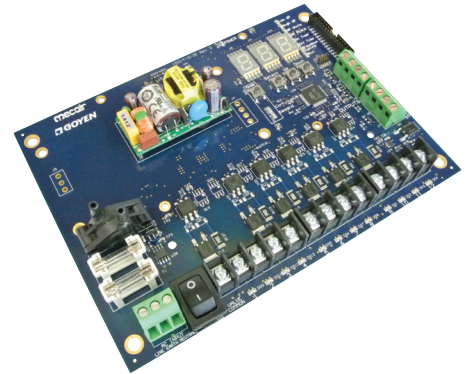
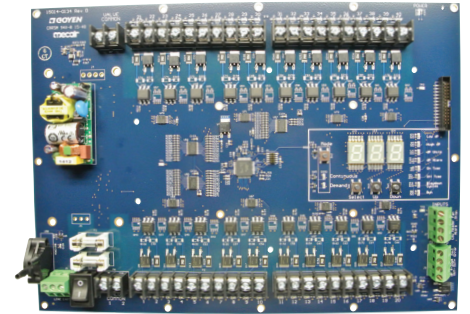
The IS sequencer operates in continuous mode, whereas the ISP has a built-in differential pressure sensor, allowing this sequencer to be demand driven. IS & ISP may be ordered as the sequencer only or in an enclosure (polycarbonate).

FEATURES

- Low temperature operation -40°C (-40°F)
- Automatic valve detection.
- Voltage-free coil error output and a visual indication on the display showing which pilot valve output has an error, enabling quick fault finding and debugging.
- Conforms to the requirements of CE, FCC, RCM, UL & ATEX.

TECHNICAL CHARACTERISTICS & PERFORMANCE

dP Support	0 to 4.5 kPa
Input Voltage	AC: 100–240 V +/-10% @ 50/60 Hz
Output Voltage	AC: 100–240 V +/-10% @ 50/60 Hz (same as input) DC: 24 V
Maximum Input Power	AC IN, AC OUT Model: 255 W AC IN, DC OUT Model: 65 W
Discrete Solenoid Outputs	12, 20 or 40 outputs
Enclosure	Polycarbonate or no enclosure
Humidity	20%–85% non-condensing
Maximum Altitude	2000 m (For higher, please consult manufacturer)
Protection Rating	Polycarbonate: NEMA 1, 3, 3S, 4, 4X, 6, 6P & 12, IP66
Operating Temperature	<u>Non-ATEX approved products:</u> -40°C to +70°C (-40°F to +158°F) <u>Non-ATEX approved products with 3 DC pilot valves in parallel:</u> -20°C to +70°C (-4°F to +158°F) <u>ATEX approved enclosure products:</u> -20°C to +50°C (-4°F to +122°F)
ON & OFF Time	ON: 30 ms to 1000 ms, OFF: 1 s to 1000 s Note: Minimum OFF Time of 5s is required in ATEX applications.
Inputs	Voltage Free: Fan Stop, Low Header Alarm
Outputs	Voltage Free: Coil Error. Analogue Output: 4–20 mA dP signal on the ISP Controls up to 40 individual outputs. AC outputs can have up to 10 pilot valves connected in parallel. DC outputs can have up to 3 pilot valves connected in parallel. See Operating Temperature for more details.
Pollution Degree	For UL applications, product is suitable for 3 & 4. For pollution degree 4, regular maintenance is required to ensure product is maintaining safe operation.

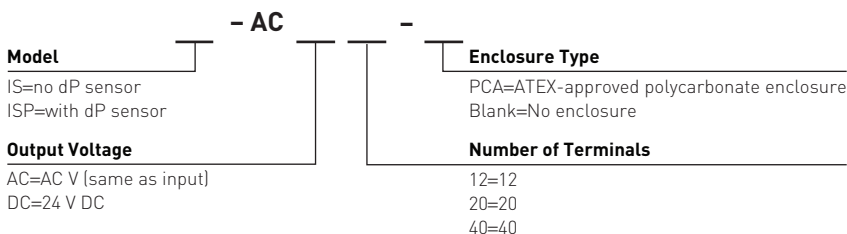


This device may be connected from a 3A rated MCB or ELCB protected branch circuit.

IS/ISP units inside a polycarbonate enclosure have ATEX approval:

CE **Ex** **II 3 D** **Ex tc IIIC T59°C Dc IP65**
Tamb: -20°C to +50°C

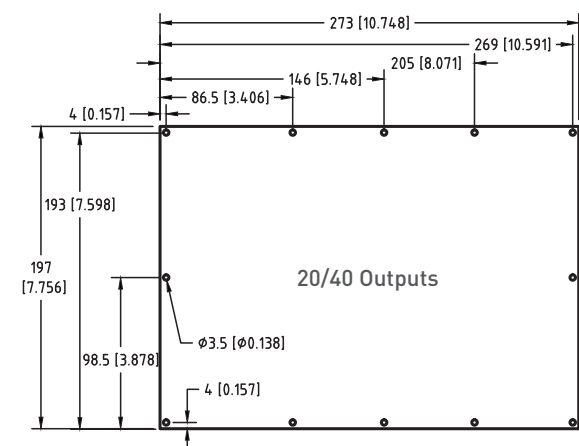
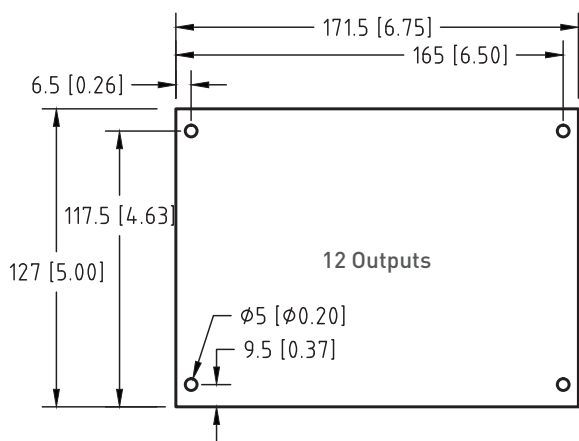
ORDER CODE – INTEGRATO SEQUENCER



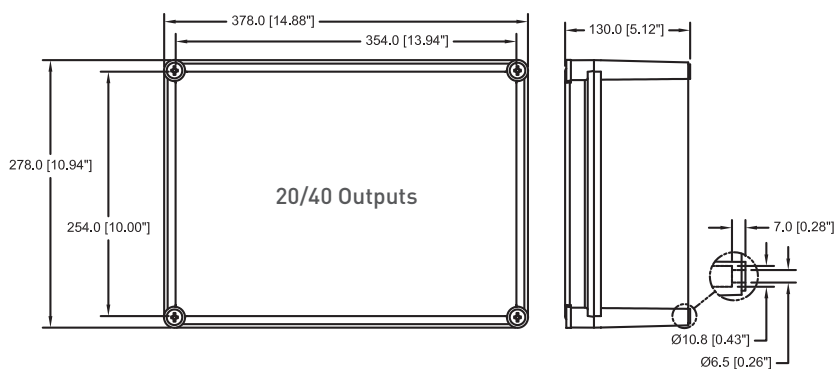
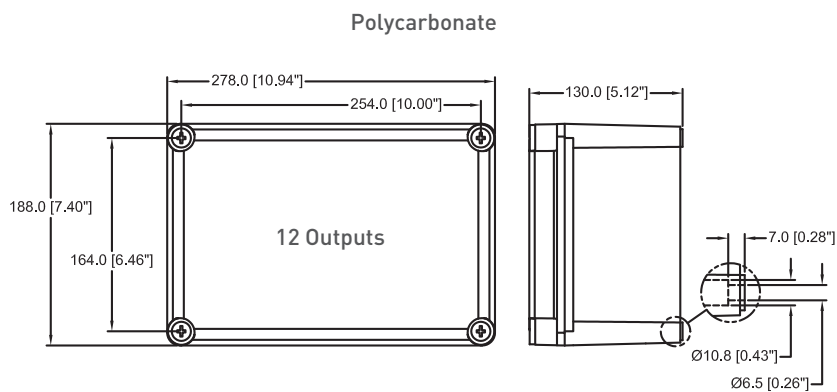
ORDER CODE - ACCESSORIES

- ISD (IS Display Module)
- ISPD (ISP Display Module)
- K-RDC-0500 (0.5m Display Module Extension Cable)
- K-RDC-1000 (1.0m Display Module Extension Cable)
- K-CPR-DIN (DS DIN Mounting Kit)

PCB BOARD DIMENSIONS - mm [inch]



ENCLOSURE DIMENSIONS - mm [inch]



CLEANAIRSYSTEMS.COM